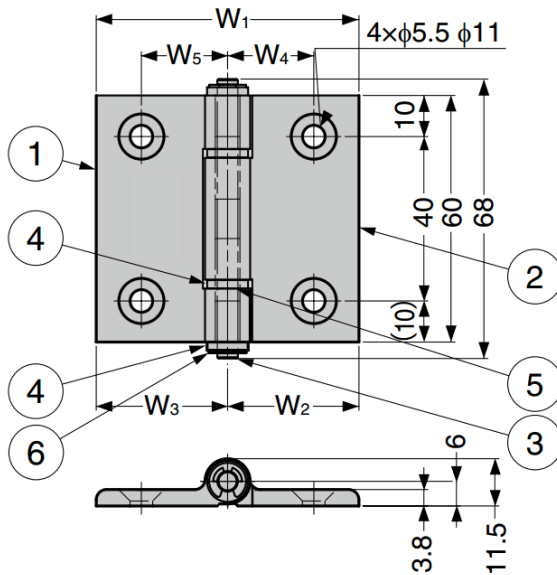


## GAS-HG-AL Butt Hinge for Aluminium Frame

### Features

- Special hinges fitting perfectly with the mounting groove of aluminium frame, no additional washers are required
- Plastic bushes provide smooth movement and prevent metal-to-metal friction
- Aluminium alloy material, light weight and excellent design



No.	Part Name	Material	Finish / Colour
①	Body A	Aluminium Alloy	Anodised Silver
②	Body B		
③	Shaft	Stainless Steel (SUS303)	Plain
④	Bush	POM	Natural
⑤	Washer	PEEK	
⑥	E-type Retaining Ring	Stainless Steel (SUS304)	–

Part No.	W <sub>1</sub>	W <sub>2</sub>	W <sub>3</sub>	W <sub>4</sub>	W <sub>5</sub>	Load Capacity (per pair)	
GAS-HG-AL-M3020	43	18	25	11	16	147 N	15 kg
GAS-HG-AL-M3030	50	25		16			
GAS-HG-AL-M3040	57	32	32	21	21		
GAS-HG-AL-M4040	64			21			